

## 70 Degree - Lindab pipe measure guide

Lindab elbows are standard 70 degree for BK and BKM (formerly BM),  
As these elbows are consistent in shape, and not flexible like aluminum products, calculating the cut dimensions will save time and produce best results.

Cut dimensions for goosenecks are easily calculated by taking a measurement from the bottom back edge of the outlet OMV or OK to the wall.

### 70 Degree elbow

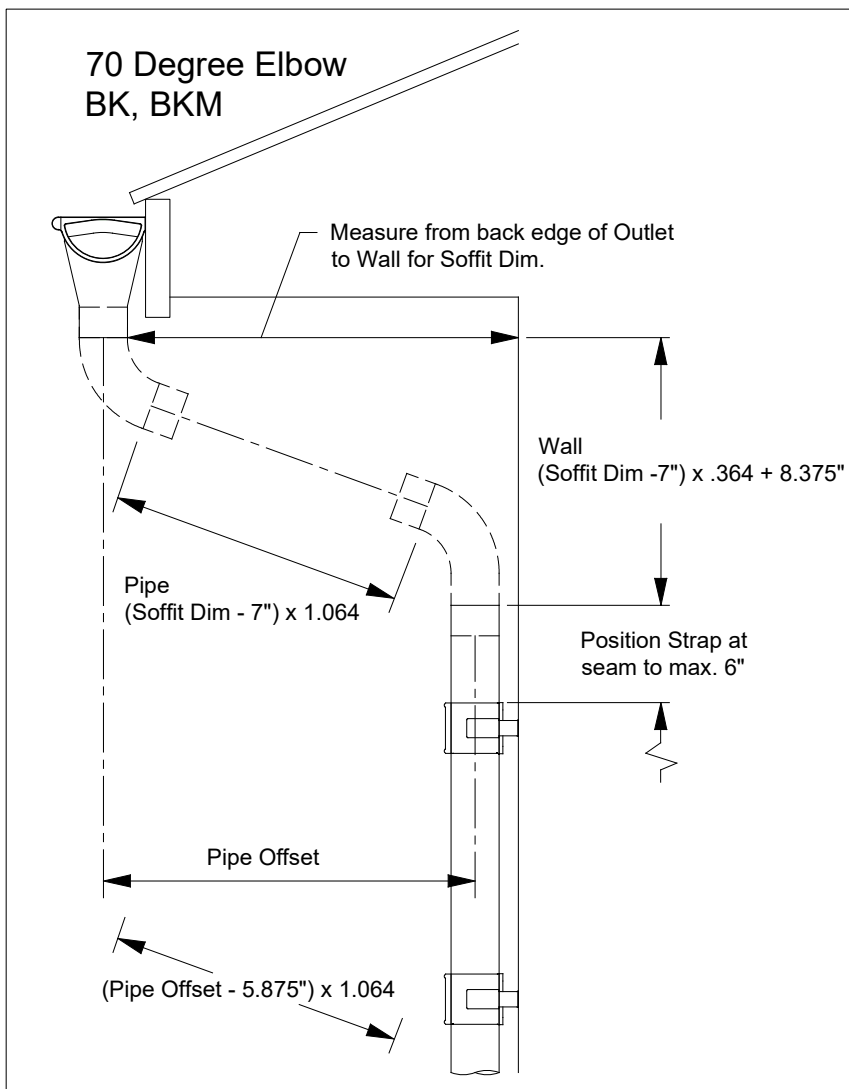
Gooseneck dim = (measurement minus 7") multiplied by 1.064

Vertical distance below outlet = (measurement minus 7") multiplied by .364, plus 8-3/8"

To offset two vertical pipes, the joining pipe is calculated as;

(Pipe offset distance minus 5-7/8") multiplied by 1.064

The chart below shows Gooseneck and wall distance for Soffit measures from 12 to 60 inches.



Soffit	Pipe	Wall
12	5-1/4	10-1/4
14	7-3/8	11
16	9-1/2	11-5/8
18	11-5/8	12-3/8
20	13-3/4	13-1/8
22	15-7/8	13-7/8
24	18	14-5/8
26	20-1/8	15-3/8
28	22-1/4	16
30	24-3/8	16-3/4
32	26-1/2	17-1/2
34	28-5/8	18-1/4
36	30-3/4	19
38	32-7/8	19-3/4
40	35	20-3/8
42	37-1/8	21-1/8
44	39-1/4	21-7/8
46	41-3/8	22-5/8
48	43-1/2	23-3/8
50	45-5/8	24
52	47-3/4	24-3/4
54	49-7/8	25-1/2
56	52	26-1/4
58	54-1/8	27
60	56-1/4	27-3/4