

Lindab pipe measure guide

Lindab elbows are available in standard 70 degree for BK and BKM (formerly BM), or custom 45 Deg and 85 Deg elbows in BK and BM. As these elbows are consistent in shape, and not flexible like aluminum products, calculating the cut dimensions will save time and produce best results.

Cut dimensions for goosenecks are easily calculated by taking a measurement from the bottom back edge of the outlet OMV or OK to the wall.

70 Degree elbow

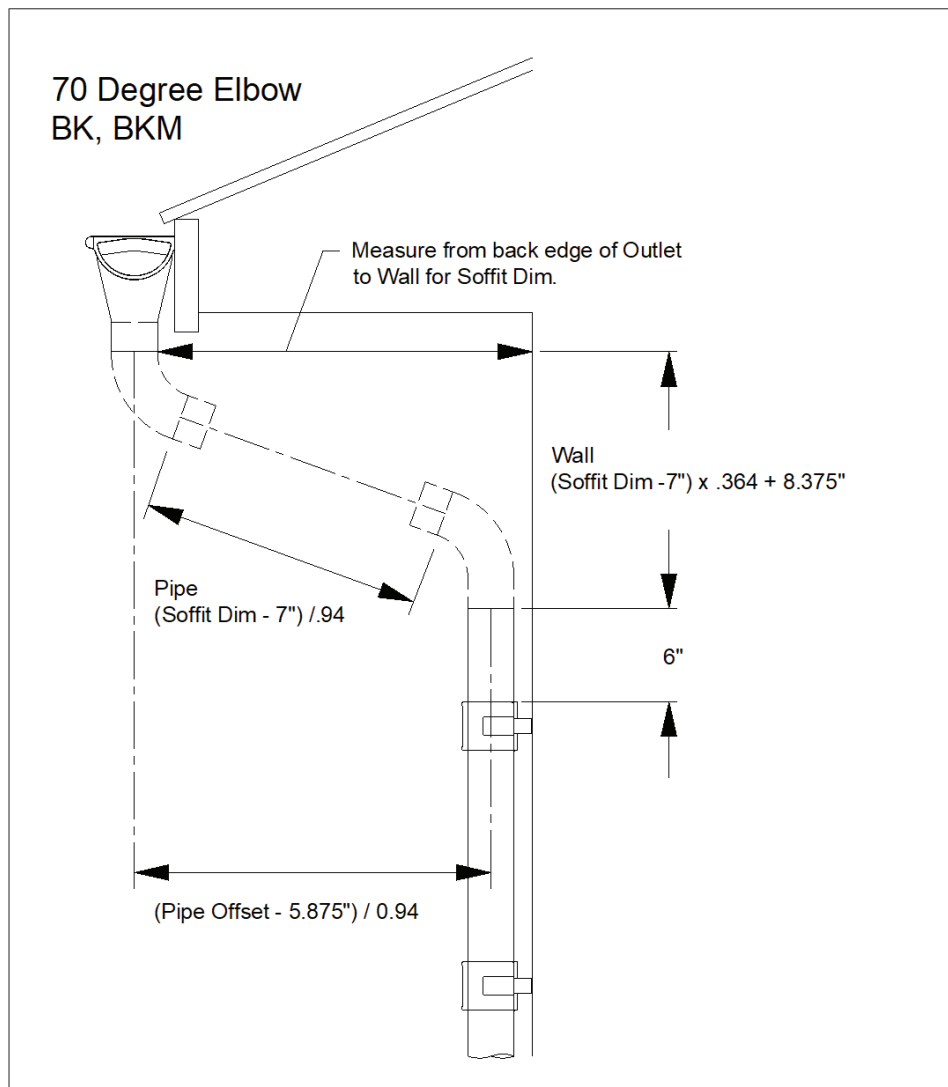
Gooseneck dim = (measurement minus 7") divided by 0.94

Vertical distance below outlet = (measurement minus 7") multiplied by .364, plus 8-3/8"

To offset two vertical pipes, the joining pipe is calculated as;

(Pipe offset distance minus 5-7/8") divided by 0.94

The chart below shows Gooseneck and wall measurements for Soffit measures from 12 to 60 inches.



70 Deg	Pipe	Wall
12	5-1/4	10-1/4
14	7-3/8	11
16	9-1/2	11-5/8
18	11-5/8	12-3/8
20	13-3/4	13-1/8
22	15-7/8	13-7/8
24	18	14-5/8
26	20-1/8	15-3/8
28	22-1/4	16
30	24-3/8	16-3/4
32	26-1/2	17-1/2
34	28-5/8	18-1/4
36	30-3/4	19
38	32-7/8	19-3/4
40	35	20-3/8
42	37-1/8	21-1/8
44	39-1/4	21-7/8
46	41-3/8	22-5/8
48	43-1/2	23-3/8
50	45-5/8	24
52	47-3/4	24-3/4
54	49-7/8	25-1/2
56	52	26-1/4
58	54-1/8	27
60	56-1/4	27-3/4

Lindab pipe measure guide

In situations with large overhangs resulting in the gooseneck being too low, or where extra clearance is required above a door or window, the 85 Degree elbow is a good option.

As with the 70 Deg elbow, measurements are taken from the lower rear edge of the outlet to the wall.

85 Degree elbow

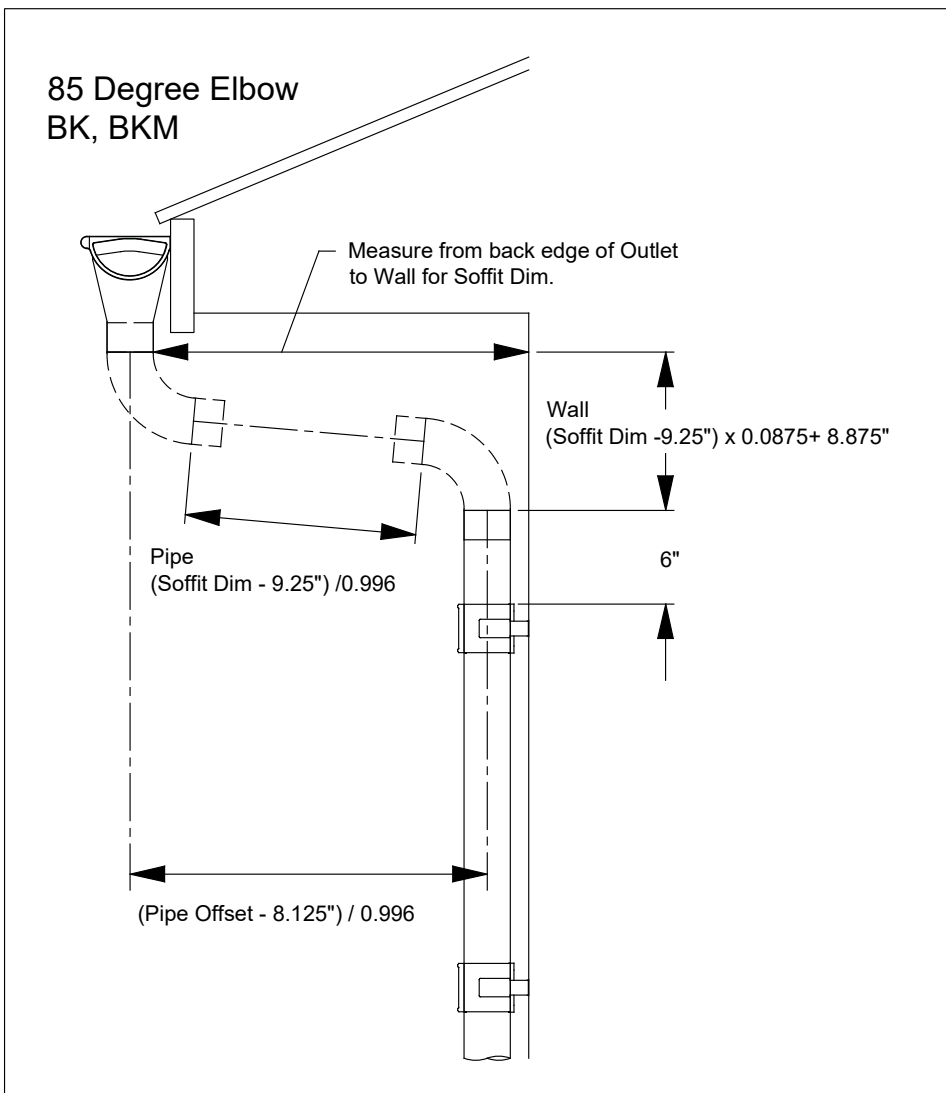
Gooseneck dim = (measurement minus 9-1/4") divided by 0.996

Vertical distance below outlet = (measurement minus 9-1/4") multiplied by .0875, plus 8-7/8"

To offset two vertical pipes, the joining pipe is calculated as;

(Pipe offset distance minus 9-1/4") divided by 0.996

The chart below shows Gooseneck and wall measurements for Soffit measures from 12 to 60 inches.



85 Deg	Pipe	Wall
12	2-3/4	9-1/8
14	4-3/4	9-1/4
16	6-3/4	9-1/2
18	8-3/4	9-3/4
20	10-3/4	9-7/8
22	12-3/4	10
24	14-3/4	10-1/4
26	16-3/4	10-3/8
28	18-3/4	10-1/2
30	20-3/4	10-3/4
32	22-3/4	10-7/8
34	24-3/4	11-1/8
36	26-3/4	11-1/4
38	28-3/4	11-1/2
40	30-3/4	11-5/8
42	32-7/8	11-3/4
44	34-7/8	12
46	36-7/8	12-1/8
48	38-7/8	12-3/8
50	40-7/8	12-1/2
52	42-7/8	12-5/8
54	44-7/8	12-7/8
56	46-7/8	13
58	48-7/8	13-1/4
60	50-7/8	13-3/8

Lindab also provides a 45 Degree elbow for tight offsets.

To offset two vertical pipes, the joining pipe is calculated as;

(Pipe offset distance minus 2-5/8") divided by 0.707